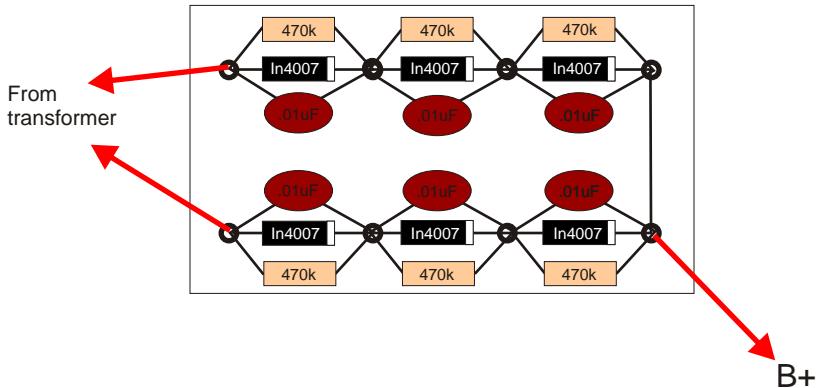


ULTRA RECTIFIER BOARD

The addition of 470k resistors and .01uF capacitors to your diode board balances and protects your diodes which helps prevent possible board failure.



Layout provided compliments of Watts Tube Audio.